

Notification: Milwaukee County Sourcing Bid Event # 7-0 Optec LED Lighting Items
(Available to view and bid Friday 2/25/2022 at 3.00 PM Central, closing Friday 3/11/2022 at 2:00 PM Central)

Bid Line items preview:

Line	Vendor	Description	Quantity	UOM
1	OPTEC	OPTEC # OLA1-360-UNVL-40-4L-SQ-NA	2.00	EA
2	OPTEC	OPTEC # OLA1-360-UNVL-40-4R-SQ-NA	2.00	EA
3	OPTEC	OPTEC # MT-OLA1-TA-2-DL 180-NA	36.00	EA
4	OPTEC	OPTEC # BRKT-MICS-NA - Pole Top Mounting Bracket	48.00	EA
5	OPTEC	OPTEC # OLA1-360-UNVL-40-4L-TA-WH	14.00	EA
6	OPTEC	OPTEC # OLA1-360-UNVL-40-4R-TA-WH	14.00	EA
7	OPTEC	OPTEC # MT-OLA1-TA-2-DL 180-WH	14.00	EA
8	OPTEC	OPTEC # OLA1-360-UNVL-40-4L-TA-NA	32.00	EA
9	OPTEC	OPTEC # OLA1-360-UNVL-40-4R-TA-NA	32.00	EA

Hello Prospective Bidders!

Milwaukee County has migrated to a new purchasing system which includes a new Supplier Portal. The Supplier Portal is a tool for receiving notifications and sourcing event information. All bids/quotes must be submitted using Milwaukee County Supplier Portal.

Please register with the Supplier Portal as the first step in the process, by visiting this link:

[Milwaukee County Supplier Portal - https://sms-milwaukeecounty-prd.inforcloudsuite.com/fsm/SupplyManagementSupplier/page/SupplyManagementSupplierPage?csk.SupplierGroup=MKE](https://sms-milwaukeecounty-prd.inforcloudsuite.com/fsm/SupplyManagementSupplier/page/SupplyManagementSupplierPage?csk.SupplierGroup=MKE)

Note: All bids/quotes must be submitted using Milwaukee County Supplier Portal

All communication, questions, and submission, related to this bid, must be posted to, and will only be responded to at, the public Question & Answer Forum within the bid.

During the bid process Milwaukee County Representatives cannot address or discuss bid details with individual suppliers per ordinance.

Post all question(s) in the public forum so it can be addressed for all prospective bidders to see.

You may click this link to view a video regarding how to register:

[Supplier Portal Instructional Video](#)

NOTE: For the best experience using the Supplier Portal, please use only one of the following recommended browsers: Chrome or Edge.

If you have trouble registering or proceeding with bid information in Marketplace Central you can contact the following for assistance:

Milwaukee County Marketplace Central Assistance at 414-223-8100 or e-mail at SupplierSupport@milwaukeecountywi.gov

Thank you for your interest in doing business with Milwaukee County.

Area Series (Large)

The OLA1 Large Series is a stylish aerodynamic area luminaire that fits within today's accepted design form factors. Excellent optical performance is achieved with Nichia brand LED's and engineered discrete optics. LED life is assured through efficient thermal coupling and dissipation via a durable, pressure die cast, low-copper alloy, aluminum housing. Engineered to last, all gaskets are anti-UV, anti-aging with no harmful out-gassing. All models come standard with a universal pole mount bracket or an optional wall surface box. Luminaires are available with a number of options including alternate CCT choices, photocells and occupancy sensors.



FEATURES

- LED Brand: Nichia
- Color Temperatures: 4000K & 5000K (Other CCT's are available upon request)
- CRI: 70
- Lumen Maintenance: L70 = 50,000 hours
- Full Cutoff (meets IDA criteria)
- Operating Temperature: -40°C (-40°F) to 40°C (104°F)
- Durable All Aluminum Pressure Die Cast Housing
- Powder Coat Finish
- Salt Fog Tested to 2500 hours / per ASTM B117
- IP65 Rated (wet listed / NEMA IEC 60529)
- Mounting: Universal Round or Square Pole, Wall Surface Box

ELECTRICAL SPECIFICATIONS

- Power Input: 120-277V (347-480V Optional)
- Power Factor: >0.95
- THD: < 15%
- Surge Protection: 20 kV
- Control Options: 0-10V Dimming standard (Photocell and Occupancy Sensors Optional)

TESTS & CERTIFICATIONS

- ETL (UL 1598, UL 8750, NEMA C82.77)
- CSA (C22.2 No.250.0)
- RoHS Compliant
- Design Lights Consortium (Premium)
- 3G Vibration tested (ANSI C136.31)



WARRANTY

- 10-Year Warranty (parts or replacement)

PERFORMANCE SPECIFICATIONS

Distribution	Model / Wattage	Lumens		Beam Rating		
		4000K	5000K	B	U	G
Type 2	OLA1-180	23,760	24,120	4 *	0	2
	OLA1-230	30,360	31,050	4 *	0	2
	OLA1-300	39,900	40,800	4 *	0	3
	OLA1-360	45,000	46,080	5 *	0	3
Type 3	OLA1-180	24,571	25,112	3 *	0	3
	OLA1-230	31,049	31,740	4 *	0	3
	OLA1-300	40,801	41,701	4 *	0	4
	OLA1-360	46,190	47,520	4 *	0	4
Type 3L	OLA1-180	23,760	24,120	4 *	0	4
	OLA1-230	30,360	31,049	5 *	0	4
	OLA1-300	39,902	40,800	5 *	0	4
	OLA1-360	45,000	46,080	5 *	0	5
Type 3R	OLA1-180	23,760	24,120	4 *	0	4
	OLA1-230	30,360	31,049	5 *	0	4
	OLA1-300	39,900	40,800	5 *	0	4
	OLA1-360	46,929	46,081	5 *	0	5
Type 4	OLA1-180	23,025	23,384	3 *	0	3
	OLA1-230	29,415	29,895	3 *	0	4
	OLA1-300	38,094	39,027	3 *	0	4
	OLA1-360	46,910	45,337	4 *	0	4
Type 4L	OLA1-180	23,760	24,120	4 *	0	4
	OLA1-230	30,360	31,050	4 *	0	4
	OLA1-300	39,900	40,800	5 *	0	5
	OLA1-360	45,000	46,080	5 *	0	5
Type 4R	OLA1-180	23,760	24,120	4 *	0	4
	OLA1-230	30,360	31,050	4 *	0	4
	OLA1-300	39,900	40,800	5 *	0	5
	OLA1-360	45,000	46,080	5 *	0	5
Type 5	OLA1-180	22,573	22,917	5	0	4
	OLA1-230	28,844	29,283	5	0	5
	OLA1-300	37,622	38,195	5	0	5
	OLA1-360	45,146	45,834	5	0	5

* Backlight = 1 when BCS (Backlight Control System) is applied.

Voltage (V)	Current (A)			
	180W	230W	300W	360W
120	1.50	1.92	2.50	3.00
208	0.87	1.11	1.44	1.73
240	0.75	0.96	1.25	1.50
277	0.65	0.83	1.08	1.30
347	0.52	0.66	0.86	1.04
480	0.38	0.48	0.63	0.75



Area Series (Large)

ORDERING INFORMATION

EXAMPLE: OLA1-230-UNVL-50-4-SQ-BZ-PR-TL12

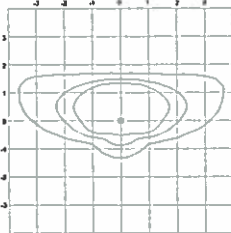
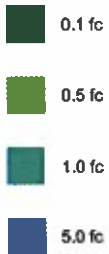
SERIES	WATTAGE	VOLTAGE	COLOR TEMP	DISTRIBUTION	MOUNTINGS	FINISH	CONTROLS / OPTIONS
OLA1 = Optec LED Area Light	180 = 180W 230 = 230W 300 = 300W 360 = 360W	UNVL = 120-277V UNVH = 347-480V	30 = 3000K 40 = 4000K 50 = 5000K	2 = Type 2 3 = Type 3 3L = Type 3 Left 3R = Type 3 Right 4 = Type 4 4L = Type 4 Left 4R = Type 4 Right 5 = Type 5	SQ = Square Pole ¹ RD = Round Pole ¹ WM = Wall Mount ^{1,2} TA = Tenon Adapter ¹ LK = Leveling Kit ³	WH = White BZ = Dark Bronze BL = Black NA = Natural Aluminum GM = Graphic Metallic CF = Custom Finish	OSWS = Occupancy Sensor (WattStopper) ⁴ PR3 = Photocell Receptacle 3-pin PR5 = Photocell Receptacle for 5-pin PR7 = Photocell Receptacle for 7-pin WCS = Wireless Control (Synapse) ⁵ BCS = Backlight Control System BD = Bird Deterrent (Other; Please contact factory) BS = Bird Spikes SF = Single Fuse (120V, 277V, 480V) DF = Double Fuse (220V, 240V, 480V) TLSC = Twist Lock Shorting Cap 924R = UL924 Relay TL12 = Twist Lock Photocell 120V ⁶ TL24 = Twist Lock Photocell 240V ⁶ TL27 = Twist Lock Photocell 277V ⁶ TL28 = Twist Lock Photocell 208V ⁶ TL34 = Twist Lock Photocell 347V ⁶ TL48 = Twist Lock Photocell 480V ⁶

¹ - For details, reference accessory data sheet.
² - WM option requires SQ pole mount bracket (ordering example: SQ-WM)
³ - Leveling kit adjusts up by 5 degrees or down by 5 degrees
⁴ - OSWS = For Wattstopper PIR sensor information and options contact factory
⁵ - WCS = for Synapse wireless controls information and options contact factory for details
⁶ - Photocell default = Fail in "ON" mode (unless otherwise specified)

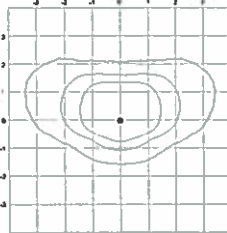
PHOTOMETRIC PERFORMANCE

Isofootcandle plots = OLA1 230W model in 5000K CCT @ 40' mounting height. Distances are in units of mounting height.

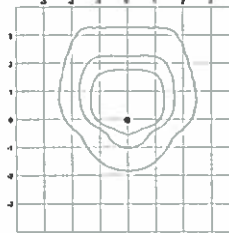
LEGEND



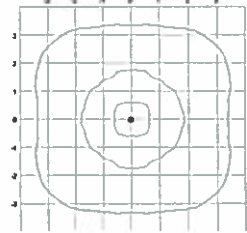
230W (Type 2) Plot



230W (Type 3) Plot



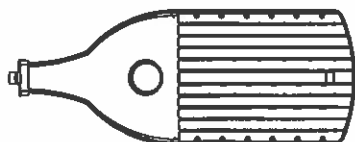
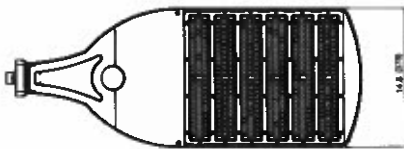
230W (Type 4) Plot



230W (Type 5) Plot

Published luminaire photometric testing performed to IESNA-79-08 standards

DIMENSIONS, WEIGHTS & EPA



Wattage	180W	230W	300W	360W
Length (in" / mm)	35.67" / 906	35.67" / 906	35.67" / 906	35.67" / 906
Width (in" / mm)	14.8" / 376	14.8" / 376	14.8" / 376	14.8" / 376
Height (in" / mm)	7.83" / 199	7.83" / 199	7.83" / 199	7.83" / 199
Weight (lbs / kg)	27.8 / 12.6	28.2 / 12.8	29.3 / 13.3	30.4 / 13.8

Wattage	Effective Projected Area (EPA) in ft ²				
	□	□	□	□	□
180	0.95	1.92	1.75	2.70	3.50
230	0.95	1.92	1.75	2.70	3.50
300	0.95	1.92	1.75	2.70	3.50
360	0.95	1.92	1.75	2.70	3.50

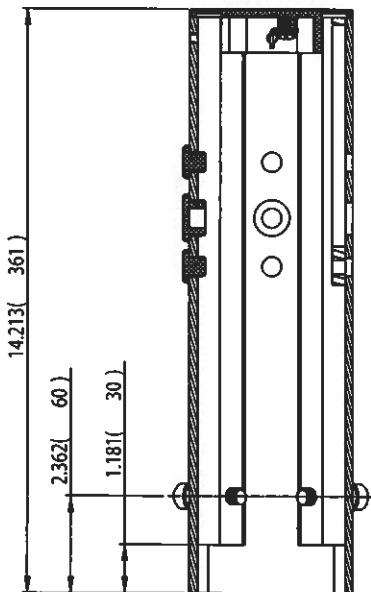
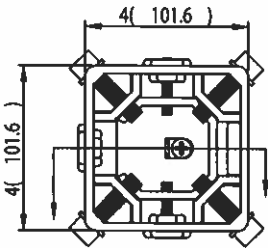
Tenon Adapter for Pole and Post Tops

Area Series (Small and Large)

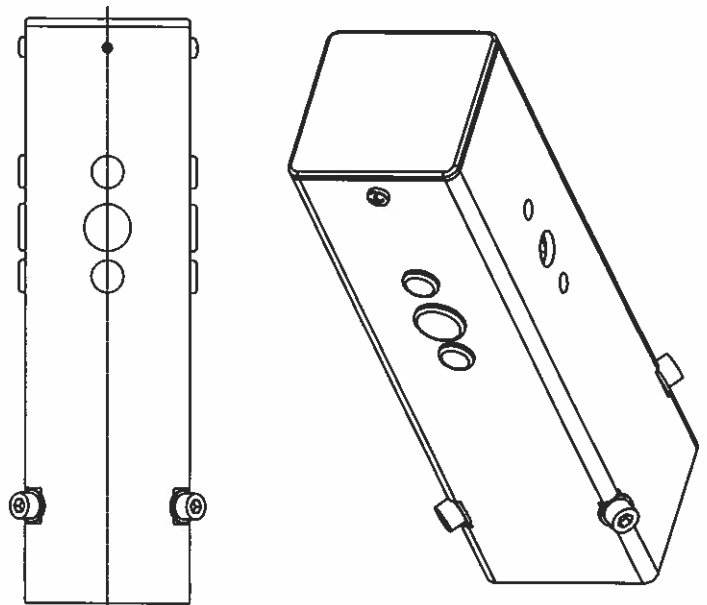
The OLA1 Area Series Tenon Adapter for pole and post top applications is a single-piece extruded aluminum accessory suitable for use on round or square poles. Threaded stainless steel allen head bolts located at each of four corners to secure the OLA1-TA to a 2 - 2/3" OD top tenon for the addition of arm-mounted OLA1 Series luminaires in single, twin, triple or quad configurations. The OLA1-TA accessory's durable powdercoat finish is available in the four standard colors. The adapter comes complete with a top cap and plugs for unused mounting and electrical holes.



SECTION VIEWS (NOT TO SCALE)



ISOMETRIC AND SIDE VIEWS (NOT TO SCALE)



INSTALLATION TOOLS NEEDED

- 8mm Allen wrench for mounting bolts
- Phillips Head driver for top cover machine screws